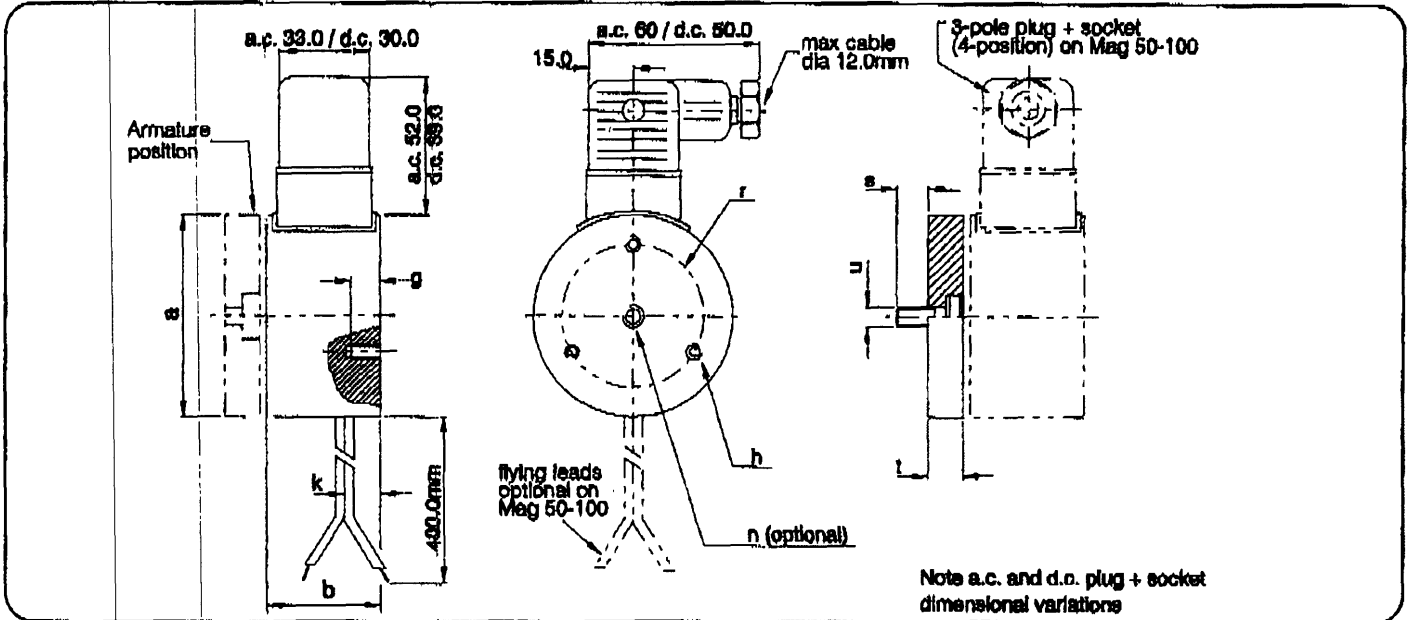




MAGNET Type 58



Size	Axial Force N	P20 W	Magnet Weight Kg	Armature Weight Kg	a	b	g	h	k	n	r	s	t	u	MAGNET Design No.		MAGNET + ARM Design No.	
															Leads	Plug + Socket	Leads	Plug + Socket
25	140	3.7	0.07	0.01	25	20.5	4	M3	6.5	M5	15	7	3	M3	0125		0325	
30	230	3.8	0.20	0.04	30	24.0	5	M3	7	M5	18	8	5	M4	0130		0330	
40	500	4.6	0.23	0.05	40	27.5	5	M4	9	M6	26	8	5	M4	0140		0340	
50	750	5.4	0.40	0.10	50	30.5	5	M4	8.5	M6	34	10	6	M4	0150	0250	0350	0450
65	1400	9.0	0.75	0.20	65	35.5	6	M5	8.5	M8	40	12	8	M5	0165	0265	0365	0465
80	2200	14.2	1.25	0.40	80	38.5	7	M6	10.5	M8	50	14	10	M6	0180	0280	0380	0480
100	3500	20.0	2.20	0.75	100	43.5	8	M6	12.5	M10	75	20	12	M8	0110	0210	0310	0410

- 24Vd.c. or 230Va.c. Operating Voltages
- Axial Forces ranging from 140 to 3500N
- Special Voltages/Forces/Mountings available on request
- High Quality, Cost effective package

General Information

- Force is measured with an armature in 220 M07 material with a finish of 0.38 µm max and minimum thickness 't'.
- All magnets can be supplied with mounting flanges to suit any particular mounting requirements.
- Pole faces can be supplied electro-plated, however this will result in approx. 10% reduction in Axial force.
- All magnets can be supplied with flying leads, and the size 50 and above can be fitted with a 3-pole plug and free socket.

Technical Specification	
Voltage	24Vd.c. or 240Va.c. (+/-10%)
Duty Cycle	100% ED
Ambient Temp.	0-65 °C
Protection	IP51
Standard Finish	Bright Zinc
Insulation	Class B

Order Example

58 - 0350 - 24 - d.c.

magnet number	58
design number	0350
voltage	24 - d.c.
supply	

STEPHENSON GOBIN (U.K. SALES)
 5 Enterprise Park, Black Moor Road, Ebblake Ind. Estate, Verwood, Dorset BH31 6YS Tel: 01202 823531 Fax: 01202 826765
 STEPHENSON GOBIN (EXPORT SALES)
 High Etherley, Bishop Auckland, Co. Durham, England DL14 0HY Tel: +44 (0) 1388 832252 Fax: +44 1388 834220